

## 2MP 26x Starlight Network PTZ Camera



**Functions:**

- 1/2.8" Progressive Scan 2MP CMOS
- 5-130mm, 26x Optical Zoom
- Starlight technology
- IR distance up to 30 m
- IP65

Camera	
Image Sensor	1/2.8" Progressive Scan 2MP CMOS
Minimum Illumination	Color:0.001 Lux @ (F1.5,AGC ON); B/W:0.0005Lux @ (F1.5,AGC ON)
Shutter	1/25s to 1/100,000s; Supports delayed shutter
Aperture	DC drive
Day/Night Switch	ICR cut filter
Digital zoom	16x
Lens	
Focal Length	5-130mm, 26x Optical Zoom
Aperture Range	F1.5-F3.8
Field of View	H: 56.9-2.9°(wide-tele) V: 32.2-1.6°(wide-tele)
Minimum Working Distance	100mm-1000mm (wide-tele)
Zoom Speed	Approximately 3.5s (optical, wide-tele)
Compression Standard	
Video Compression	H.265 / H.264 / MJPEG
H.265 Type	Main Profile
H.264 Type	BaseLine Profile / Main Profile / High Profile
Video Bitrate	32 Kbps~16Mbps
Audio Compression	G.711a/G.711u/G.722.1/G.726/MP2L2/AAC/PCM
Audio Bitrate	64Kbps(G.711)/16Kbps(G.722.1)/16Kbps(G.726)/32-192Kbps(MP2L2)/16-64Kbps(AAC)
Image (Maximum Resolution: 1920*1080)	
Main Stream	50Hz: 25fps (1920 × 1080, 1280 × 960, 1280 × 720); 60Hz: 30fps(1920 × 1080, 1280 × 960, 1280 × 720)
Third Stream	50Hz: 25fps (704 x 576); 60Hz: 30fps (704 x 576)
Image Settings	Saturation, Brightness, Contrast and Sharpness can be adjusted via the client-side or browse
BLC	Support

## Portable Series | PTZ3D226-G

Exposure Mode	AE / Aperture Priority / Shutter Priority / Manual Exposure
Focus Mode	Auto Focus / One Focus / Manual Focus / Semi-Auto Focus
Area Exposure / Focus	Support
Defog	Support
Image Stabilization	Support
Day/Night Switch	Automatic, manual, timing, alarm trigger
3D Noise Reduction	Support
Picture Overlay Switch	Support BMP 24-bit image overlay, customizable area
Region of Interest	Support three streams and four fixed areas
<b>Network</b>	
Storage Function	Support Micro SD / SDHC / SDXC card (256G) offline local storage, NAS (NFS, SMB / CIFS support)
Protocols	TCP/IP,ICMP,HTTP,HTTPS,FTP,DHCP,DNS,RTP,RTSP,RTCP,NTP,SMTP,SNMP,IPv6
Interface Protocol	ONVIF(PROFILE S,PROFILE G)
<b>Smart Features</b>	
Smart Detection	Cross-border detection, area intrusion detection, entering /leaving area detection, hovering detection, personnel gathering detection, fast motion detection, parking detection / take detection, scene change detection, audio detection, virtual focus detection, face detection
<b>Battery</b>	
Battery Type	Lithium Battery with high capacity
Battery Capacity	72V 9600mAH
Duration	105 Hours (low power mode)
<b>PTZ</b>	
Pan Range	360°
Pan Speed	0.1~12°/s
Tilt Range	-25~90°
Tilt Speed	0.1~12°/s
Presets	255
Patrol Scan	6 patrols, up to 18 presets for each patrol
Pattern Scan	4 pattern scans
Power Off Memory	Support
RS485	Support
<b>Infrared</b>	
IR Distance	30 m
<b>Port</b>	
Audio I/O	1 input,1 output(optical)
Alarm I/O	1 input,1 output(optical)

## Portable Series | PTZ3D226-G

General	
Power Supply	DC12±2V
Power Consumption	MAX 36W
Ethernet Interface	1 RJ45,10M/100M self-adaptive Ethernet port
Working Temperature	-20 ~ 60°C
Weight	25Kg
Dimension	φ145mm×225mm
IP Level	IP65

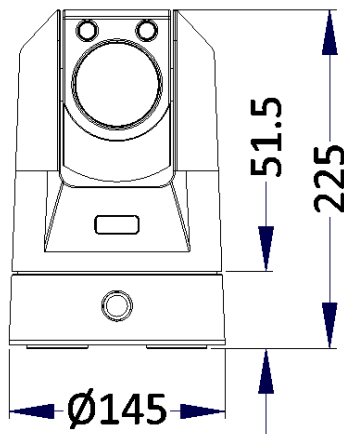
### Accessories

Included:



AC24V/2.2A Power Adapter

Dimensions:



This datasheet is subject to change without prior notice. Please contact us to get the latest datasheet.