

2MP 46x Starlight Network PTZ Camera



Functions:

- 1/2.8" 2Megapixel CMOS
- Support defog function
- Support 46x optical zoom, 7-322mm
- 0.001Lux/F1.8(color),
- Auto-induction Wiper
- Positioning Accuracy: 0.05°
- IR distance up to 800m
- IP66

Camera	
Image Sensor	1/2.8" Progressive Scan CMOS
Min. Illumination	Color:0.001 Lux @(F1.8,AGC ON); Black:0.0005Lux @(F1.8,AGC ON);
Shutter Time	1/25 to 1/100,000s
Day & Night	IR Cut Filter
Lens	
Focal Length	7-322mm;46x optical zoom;
Digital zoom	16x digital zoom
Aperture Range	F1.8-F6.5
Field of View	H: 42-1° (wide-tele);V: 25.2-0.61° (wide-tele)
Working Distance	100mm-1000mm (wide-tele)
Zoom Speed	Approx. 3.5s (optical lens, wide-tele)
Compression	
Video Compression	H.265 / H.264 / MJPEG
Audio Compression	G.711a/G.711u/G.722.1/G.726/MP2L2/AAC/PCM
Image	
Resolution	50Hz: 25fps (1920 × 1080, 1280 × 960, 1280 × 720); 60Hz: 30fps (1920 × 1080, 1280 × 960, 1280 × 720)
Image Setting	Corridor mode, saturation, brightness, contrast and sharpness can be adjusted by client or browser
BLC	Support
Exposure Mode	Automatic exposure/aperture priority/shutter priority/manual exposure

Ultra Series | SD8A246-H

Focus Control	Auto focus/one-time focus/manual focus
Area Exposure/Focus	Support
Defog	Support
EIS	Support
Day & Night	Auto(ICR) / Color / B/W
3D Noise Reduction	Support
Image overlay	Support BMP 24 bit image overlay, optional region
ROI	ROI supports one fixed region for each three-bit stream
Network	
Network Storage	Built-in memory card slot, support Micro SD/SDHC/SDXC, up to 256 GB; NAS (NFS, SMB/ CIFS)
Protocol	ONVIF(PROFILE S,PROFILE G) ,GB28181-2016
Interface	
External interface	36pin FFC (Ethernet,RS485,RS232,CVBS,SDHC,Alarm In/Out)
PTZ	
Three-dimensional Intellectual Position	Support
Pan Range	360°
Pan Speed	keyboard control 200°/s,manual0.05°~200°/s
Tilt Range/Movement Range(Tilt)	-25°~90°
Tilt Speed	keyboard control120°/s,0.05°~120°/s manual
Positioning Accuracy	±0.3° (±0.05°optional)
Zoom Ratio	Support
Presets	255
Cruise Scan	6,up to 18 presets for each preset,park time can be set
Wiper	Auto/Manual,support automatic induction wiper
Power Loss Recovery	Support
Infrared	
IR distance	up to 800m
IR intensity	Automatically adjusted, depending on the zoom ratio
Port	
Audio I/O	1 input,1 output(optical)
Alarm I/O	1 input,1 output(optical)
General	
Power	AC24±25%, 50Hz
Power Consumption	48W
Dimension	412.8*φ250

Ultra Series | SD8A246-H

Weight	7.8KG
IP Level	IP66, (electrostatic level:4), (surge level:4)
Working Temperature	-40°C ~ 70 °C
Humidity	Humidity 90% or less

Accessories

Included:



Wall Mount Bracket



AC24V/2.2A Power Adapter

Optional:

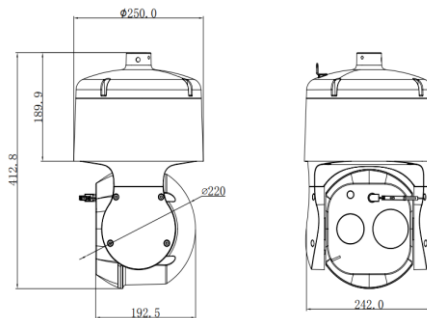


Ceiling Mounting Bracket



Mount Adapter

Dimensions



This datasheet is subject to change without prior notice. Please contact us to get the latest datasheet.