

4MP 40x Starlight Network PTZ Camera



Functions:

- 1/1.8" Progressive Scan 4MP CMOS
- 6.4~256mm, 40x Optical Zoom
- Starlight technology
- Smart Features
- Auto-induction Wiper
- Positioning Accuracy: 0.05°
- IR distance up to 800m
- IP66

Camera	
Image Sensor	1/1.8" Progressive Scan 4MP CMOS
Minimum Illumination	Color:0.0005 Lux @ (F1.8, AGC ON); B/W:0.0001Lux @ (F1.8, AGC ON)
Shutter	1/25s to 1/100,000s; Support delayed shutter
Aperture	PIRIS
Day/Night Switch	ICR cut filter
Lens	
Focal Length	6.4~256mm, 40x Optical Zoom
Aperture Range	F1.35-F4.6
Horizontal Field of View	61.28-2.06° (wide-tele)
Minimum Working Distance	100mm-1500mm (wide-tele)
Zoom Speed	Approximately 4.5s(optical, wide-tele)
Compression Standard	
Video Compression	H.265 / H.264
H.265 Type	Main Profile
H.264 Type	BaseLine Profile / Main Profile / High Profile
Video Bitrate	32 Kbps~16Mbps
Audio Compression	G.711a/G.711u/G.722.1/G.726/MP2L2/AAC/PCM
Audio Bitrate	64Kbps(G.711)/16Kbps(G.722.1)/16Kbps(G.726)/32-192Kbps(MP2L2)/16-64Kbps(AAC)
Image (Maximum Resolution: 2688*1520)	
Main Stream	50Hz: 25fps (2688×1520, 1920 × 1080, 1280 × 960, 1280 × 720);60Hz: 30fps (2688×1520, 1920 × 1080, 1280 × 960, 1280 × 720)
Third Stream	50Hz: 25fps (704 × 576); 60Hz: 30fps (704 × 576)

Ultra Series | SD8A440-H

Image Settings	Saturation, Brightness, Contrast and Sharpness can be adjusted via the client-side or browse
BLC	Support
Exposure Mode	AE / Aperture Priority / Shutter Priority / Manual Exposure
Focus Mode	Auto Focus / One Focus / Manual Focus / Semi-Auto Focus
Area Exposure / Focus	Support
Defog	Support
Day/Night Switch	Automatic, manual, timing, alarm trigger
3D Noise Reduction	Support
Picture Overlay Switch	Support BMP 24-bit image overlay, customizable area
Region of Interest	Support three streams and four fixed areas
Network	
Storage Function	Support micro SD / SDHC / SDXC card (256g) offline local storage, NAS (NFS, SMB / CIFS support)
Protocols	TCP/IP,ICMP,HTTP,HTTPS,FTP,DHCP,DNS,RTP,RTSP,RTCP,NTP,SMTP,SNMP,IPv6
Interface Protocol	ONVIF(PROFILE S,PROFILE G)
PTZ	
Three-dimensional Intellectual Position	Support
Pan Range	360°
Pan Speed	Keyboard control 200°/s,manual0.05°~200°/s
Tilt Range/Movement Range(Tilt)	-25°~90°
Tilt Speed	Keyboard control120°/s,0.05°~120°/s manual
Positioning Accuracy	±0.3° (±0.05°optional)
Zoom Ratio	Support
Presets	255
Cruise Scan	6,up to 18 presets for each preset,park time can be set
Wiper	Auto/Manual,support automatic induction wiper
Power Loss Recovery	Support
Infrared	
IR distance	Up to 800m
IR intensity	Automatically adjusted, depending on the zoom ratio
Port	
Audio I/O	1 input,1 output(optical)
Alarm I/O	1 input,1 output(optical)
General	
Power	AC24±25%, 50Hz

Ultra Series | SD8A440-H

Power Consumption	48W
Dimension	412.8* ϕ 250
Weight	7.8KG
IP Level	IP66, (electrostatic level:4), (surge level:4)
Working Temperature	-40°C ~ 70 °C
Humidity	Humidity 90% or less

Accessories

Included:



Wall Mount Bracket



AC24V/2.2A Power Adapter

Optional:

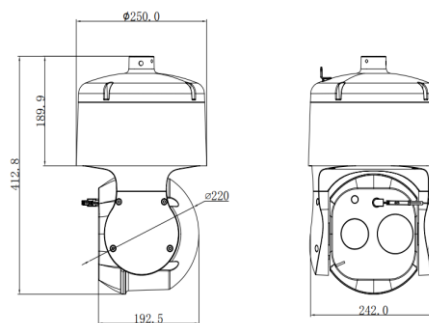


Ceiling Mounting Bracket



Mount Adapter

Dimensions



This datasheet is subject to change without prior notice. Please contact us to get the latest datasheet.